



440W | 445W | 450W

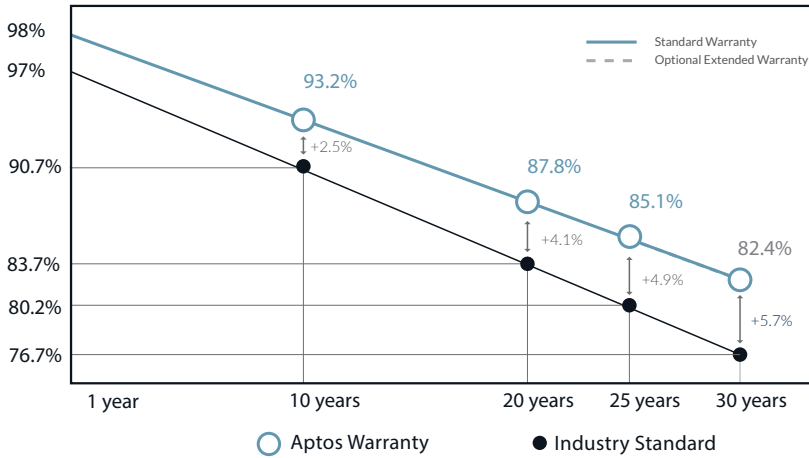
DNA-120-BF10-440W

Residential | Commercial

Our DNA Split Cell Series uses advanced selective emitter PERC technology with thin film layers to improve heat tolerance, maximize energy harvest, minimize resistive loss, and use 5% more of the available active area for optimal power performance.



Linear Performance Warranty



Designed & Engineered In Silicon Valley

Key Features



Advanced Technology

Patented DNA™ technology boosts power performance & module efficiency.



Aesthetics

All black design with advanced split cell technology features 10 ultra-thin busbars that allow for less resistance and greater energy harvest.



Miami-Dade Approved

Miami-Dade County wind load certified to withstand up to 5400 Pa.



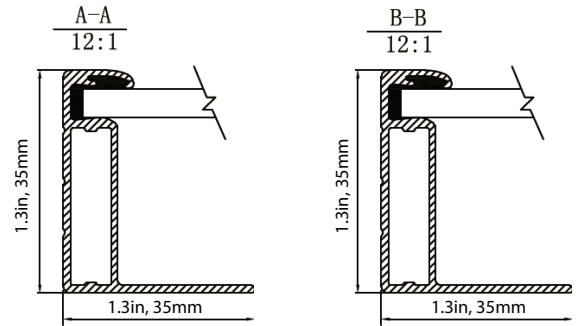
Awards

Winners of the Leadership in Solar Energy award for three consecutive years and listed as one of the Top Solar Products from 2021-2022.



Bankable Investment

Comprehensive warranty that covers both **30-year product** and **30-year power** performance.



Electrical Specifications

	DNA-120-BF10-440W	DNA-120-BF10-445W	DNA-120-BF10-450W
STC Rated Output P_{mpp} (W)	440W	445W	450W
Module Efficiency	20.39%	20.62%	20.85%
Open Circuit Voltage V_{VOC} (V)	41.51	41.73	41.96
Short Circuit Current I_{SC} (A)	12.88	12.94	13.00
Rated Voltage V_{mp} (V)	34.71	34.93	35.16
Rated Voltage I_{mp} (A)	12.68	12.74	12.80

Standard Test Conditions for front-face of panel: 1000 W/m², 25°C, measurement uncertainty $\leq 3\%$

Mechanical Properties

Cell Type	Monocrystalline
Glass	3.2mm, anti-reflection coating, high transmission, low iron, tempered glass
Frame	Anodized Aluminum Alloy
Junction Box	IP68
Dimensions	74.9 X 44.6 X 1.3 in, 1903 X 1134 X 35 mm
Weight	50.2 lbs
Output Cable	4mm ² (EU)12AWG,39.37in,(1200mm)
Cable Length	47.2in, 1200mm
Connector Type	Staubli EVO2

Bifacial Output-Rearside Power Gain

5%-Maximum Power (Pmax)	462W	467W	473W
5%-Module Efficiency STC(%)	21.34%	21.58%	21.82%
15%-Maximum Power (Pmax)	506W	512W	518W
15%-Module Efficiency STC(%)	23.37%	23.63%	23.90%
25%-Maximum Power (Pmax)	550W	556W	563W
25%-Module Efficiency STC(%)	25.40%	25.69%	25.98%

Test Operating Conditions

Maximum Series Fuse	30A
Maximum System Voltage	1,500 VDC (UL&IEC)
Maximum Load Capacity (Per UL 1703)	5400 PA Snow Load / 5400 Pa Wind Load
Fire Performance Class	Class C/Type 1

Temperature Coefficients

Temperature Coefficients P_{mpp}	-0.39%/°C
Temperature Coefficients I_{sc}	+0.06%/°C
Temperature Coefficients V_{oc}	-0.30%/°C
Normal Operating Cell Temperature (NOCT)	45°C±2°C

Packaging Configuration

Modules per Pallet	31
Pallets per 40ft. Container	24
Pallet Dimensions	1938 X 1130 X 1264 mm
Pallet Weight (lbs)	1556.2
Modules per 40ft. Container	744

Certifications

