



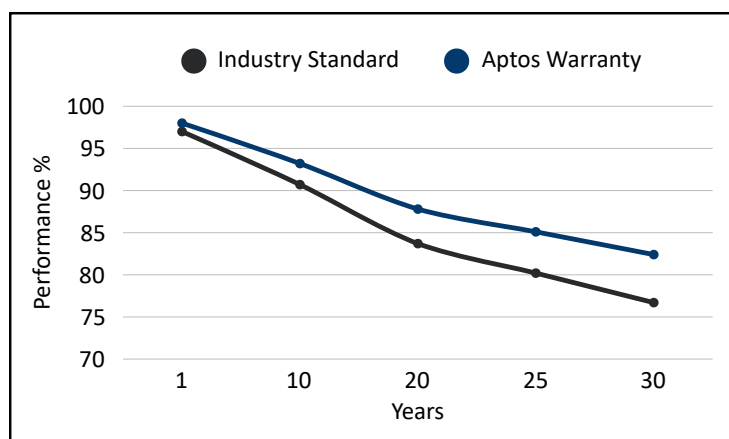
DNA-108-MFN10-435W USAPTOS2

Residential | Commercial

Our DNA Split Cell Series uses advanced N-Type technology with thin film layers to improve heat tolerance, maximize energy harvest, minimize resistive loss, and use 5% more of the available active area for optimal power performance.

Linear Performance Warranty

Industry Leading 30 Years Product and Performance Warranty



Key Features:

Advanced Technology

Patented DNA™ technology boosts power performance & module efficiency.

Miami-Dade Approved

Miami-Dade County wind load certified to withstand up to 5400 Pa.

Bankable Investment

Comprehensive warranty that covers both 30-year product and 30-year power performance.



Designed and Engineered In
Silicon Valley

Solar for Innovators

100% AMERICAN OWNED COMPANY

Aesthetics

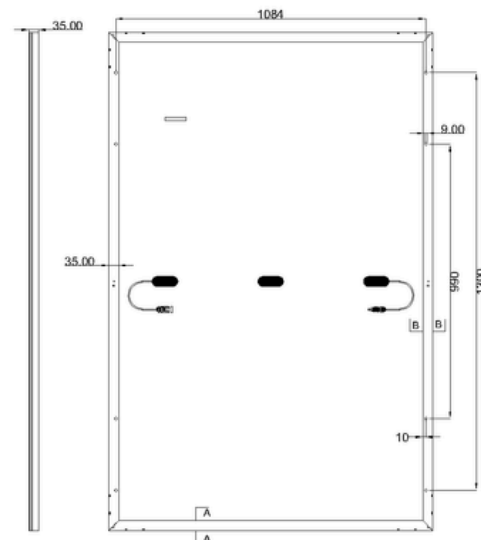
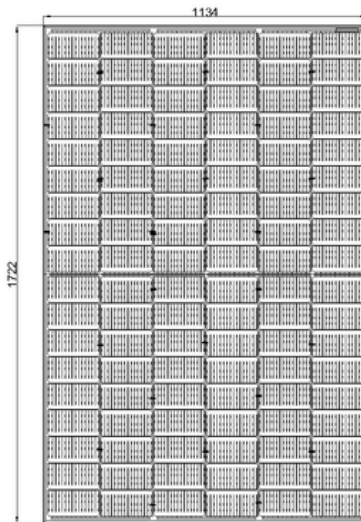
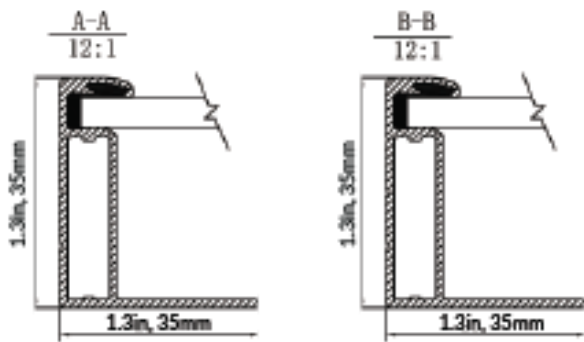
All black design with advanced split cell technology features 16 ultra-thin busbars that allow for less resistance and greater energy harvest.

Awards

Winners of the Leadership in Solar Energy award for three consecutive years and listed as one of the Top Solar Products from 2021-2022.

Certifications





Mechanical Properties	
Cell Type	N-TYPE TECHNOLOGY
Glass	3.2mm(0.12in), anti-reflection coating, high transmission, low iron, tempered glass
Frame	Anodized Aluminum Alloy
Junction Box	IP68
Dimensions	67.7 X 44.6 X 1.3 in, 1722 X 1134 X 35 mm
Weight	46.29lbs. (21kg)
Output Cable	4mm ² (EU)12AWG
Cable Length	47.2 in, 1200mm
Encapsulant	POE and EVA
Connector Type	Staubli EVO2

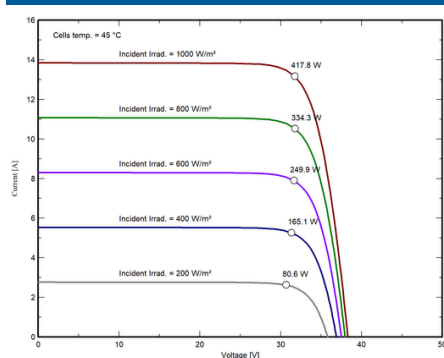
Electrical Specifications	DNA-108 MFN10-430W		DNA-108 MFN10-435W		DNA-108 MFN10-440W	
	STC	NOCT	STC	NOCT	STC	NOCT
STC Rated Output P _{mpp} (W)	440W	327W	435W	331W	440W	335W
Open Circuit Voltage V _{OC} (V)	38.3	36.8	38.4	36.9	38.6	37.1
Short Circuit Current I _{SC} (A)	14.23	11.47	14.31	11.53	14.39	11.59
Rated Voltage V _{mpp} (V)	31.9	30.7	32	30.9	32.2	31.1
Rated Current I _{max} (A)	13.5	10.65	13.6	10.71	10.71	10.77
Module Efficiency	22%		22.3%		22.5%	

STC for front-face of panel: 1000 W/m², 25°C, measurement uncertainty <3%
NOCT for front-face of panel: 800W/m²,45°C, Wind speed 1 m/s

Packaging Configuration	
Number of Modules per Pallet	31
Number of Pallets per 40ft. Container	26
Pallet Dimensions	68.97 X 44.48 X 49.76 in, 1752 X 1130 X 1264 mm
Pallet Weight (lbs)	1380.43
Modules per 40ft. Container	806

Temperature Coefficients	
Temperature Coefficients P _{mpp}	-0.29%/°C
Temperature Coefficients I _{SC}	+0.046%/°C
Temperature Coefficients V _{OC}	-0.23%/°C
Nominal Operating Cell Temperature (NOCT)	45°C±2

I-V Curve



Test Operating Conditions

Maximum Series Fuse	25A
Maximum System Voltage	1,500 VDC (UL&IEC)
Maximum Load Capacity (Per UL 1703)	5400 Pa Snow Load / 5400 Pa Wind Load
Fire Performance Type	Type 1



www.aptossolar.com

+1 (949) 932-0733

sales@aptossolar.com

4502 Centerview Dr. Ste. 100
San Antonio, TX 78228

1. Mounting hole locations shown may not reflect actual locations. Top mount clamps are recommended.
2. Applicable only for clamping method, 5400Pa front side/ 2400Pa rear side load capacity for installation with mounting holes.

Aptos Solar Technology reserves the right to make specification changes without notice.